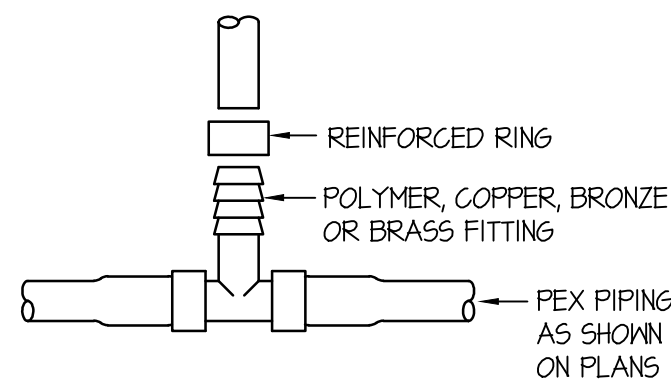


THIS TYPE (COLD EXPANSION) OF FITTING REQUIRES THAT THE PEX PIPING, WITH REINFORCING PEX RING PLACED OVER THE END OF THE PIPE, IS EXPANDED BEFORE THE FITTING IS INSERTED INTO THE PIPE END. THE EXPANDED PIPE END IS ALLOWED TO RETRACT ONTO THE FITTING TO FORM THE SEAL. THE MEMORY OF THE PIPE ALLOWS IT TO TIGHTEN OVER THE FITTING. AN EXPANDER TOOL IS REQUIRED TO EXPAND THE PIPE AND THE PEX RING TOGETHER.

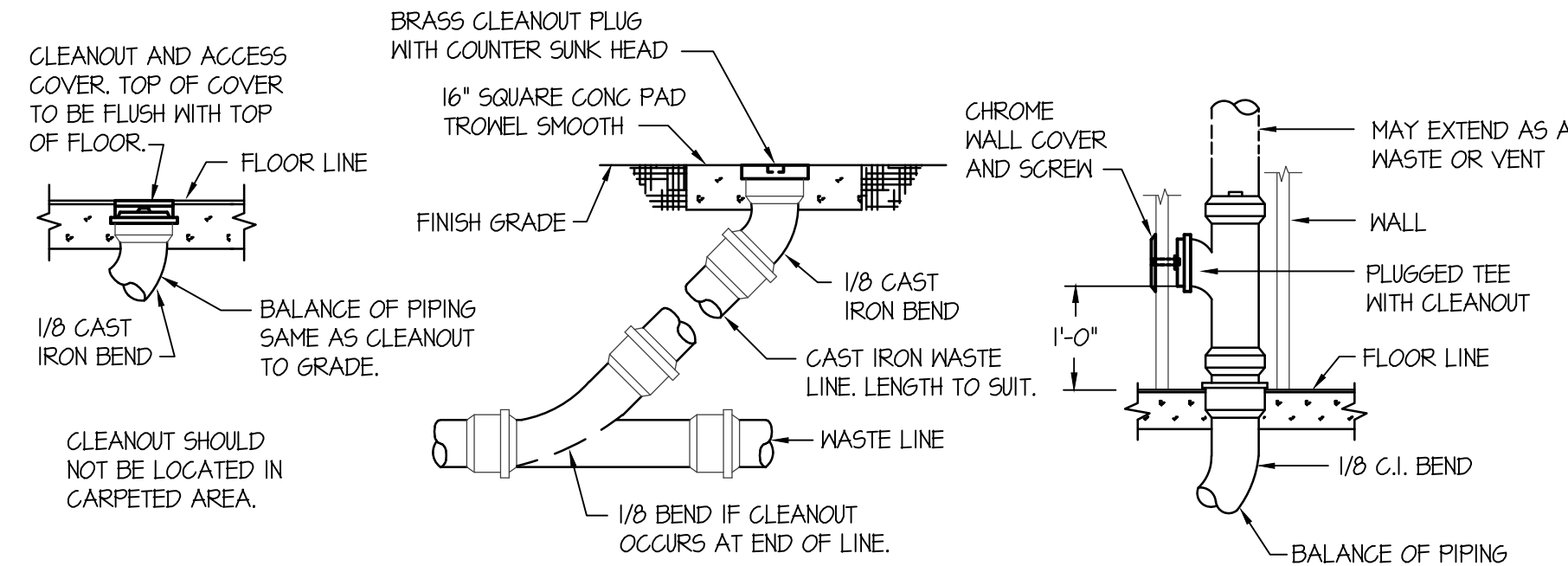
ALL JOINTS (TEES, ELBOWS, COUPLINGS, ETC.) ARE JOINTED SIMILARLY.



NOTE: STAINLESS STEEL CAMP BANDS ARE ALSO PERMITTED FOR REINFORCING RING.

PEX PIPE FITTING DETAILS

NO SCALE



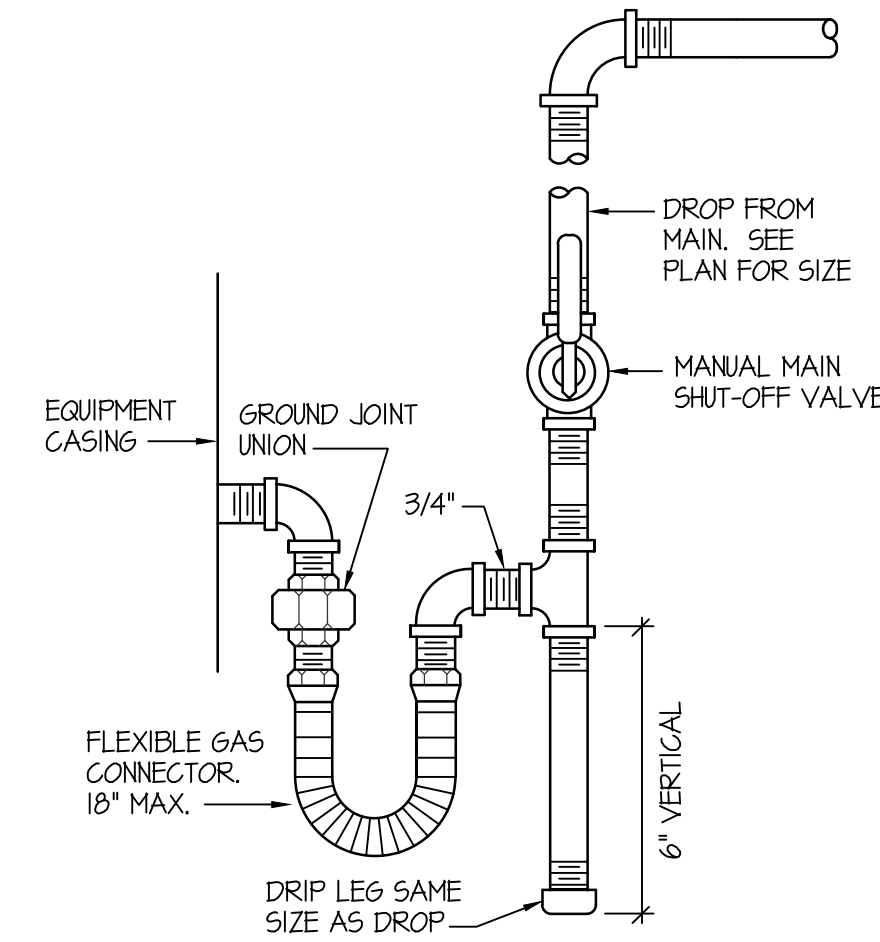
FLOOR CLEANOUT (FCO)

CLEANOUT TO GRADE (COTG)

WALL CLEANOUT (MCO)

CLEAN OUT DETAILS

NO SCALE



GAS LINE CONNECTION DETAIL

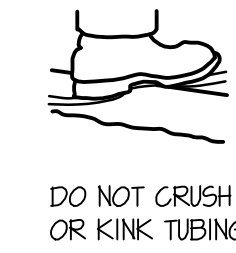
NO SCALE

KEEP TUBING A MINIMUM OF 12" VERTICALLY OR 6" HORIZONTALLY FROM SOURCES OF HIGH HEAT SUCH AS LIGHT FIXTURES, FLUES OR HEATING EQUIPMENT.

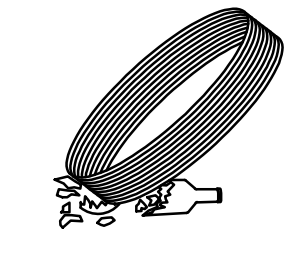
NOTE: USE ONLY CONTINUOUS LENGTH TUBING (NO FITTINGS) WHEN INSTALLING PEX UNDER OR WITHIN A SLAB. PROTECT PEX TUBING WITH NONMETALLIC SLEEVES WHERE IT PENETRATES A SLAB OR FOUNDATION WALL.

MIN. CLEARANCES

TUBING SIZE	MIN. RADIUS BENDING
3/8"	4"
1/2"	5"
3/4"	7"
1"	9"



DO NOT CRUSH OR KINK TUBING

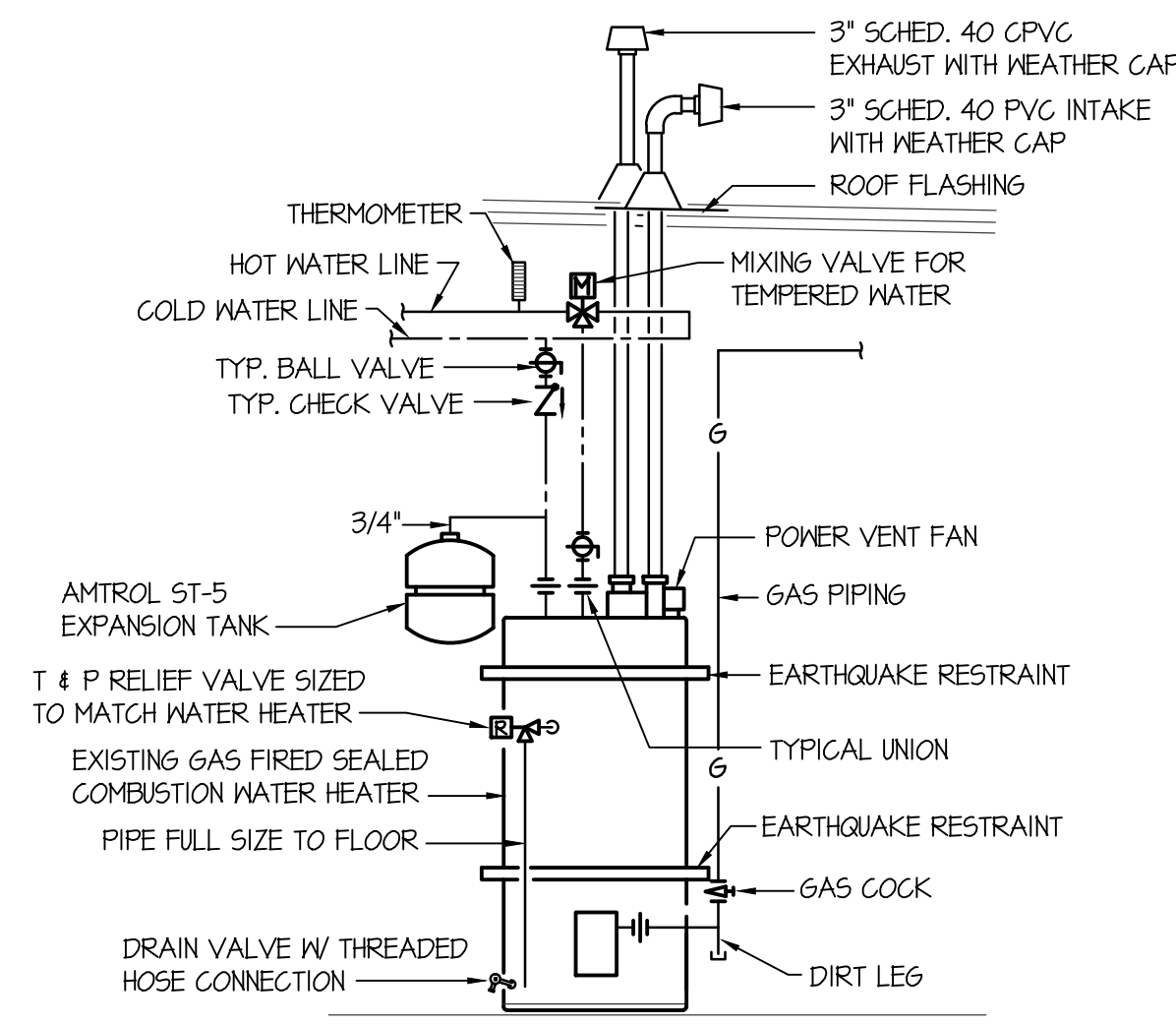


DO NOT DRAG TUBING OVER ROUGH TERRAIN, ROCKS, OR ANY SURFACE THAT CAN CUT, PUNCTURE OR DAMAGE TUBING WALL.

TUBING AND FITTINGS SHALL BE STORED UNDERCOVER FOR CLEANLINESS AND TO AVOID EXPOSURE TO SUNLIGHT. CONSULT MANUFACTURER FOR RECOMMENDED LIMITS TO OUTSIDE STORAGE.

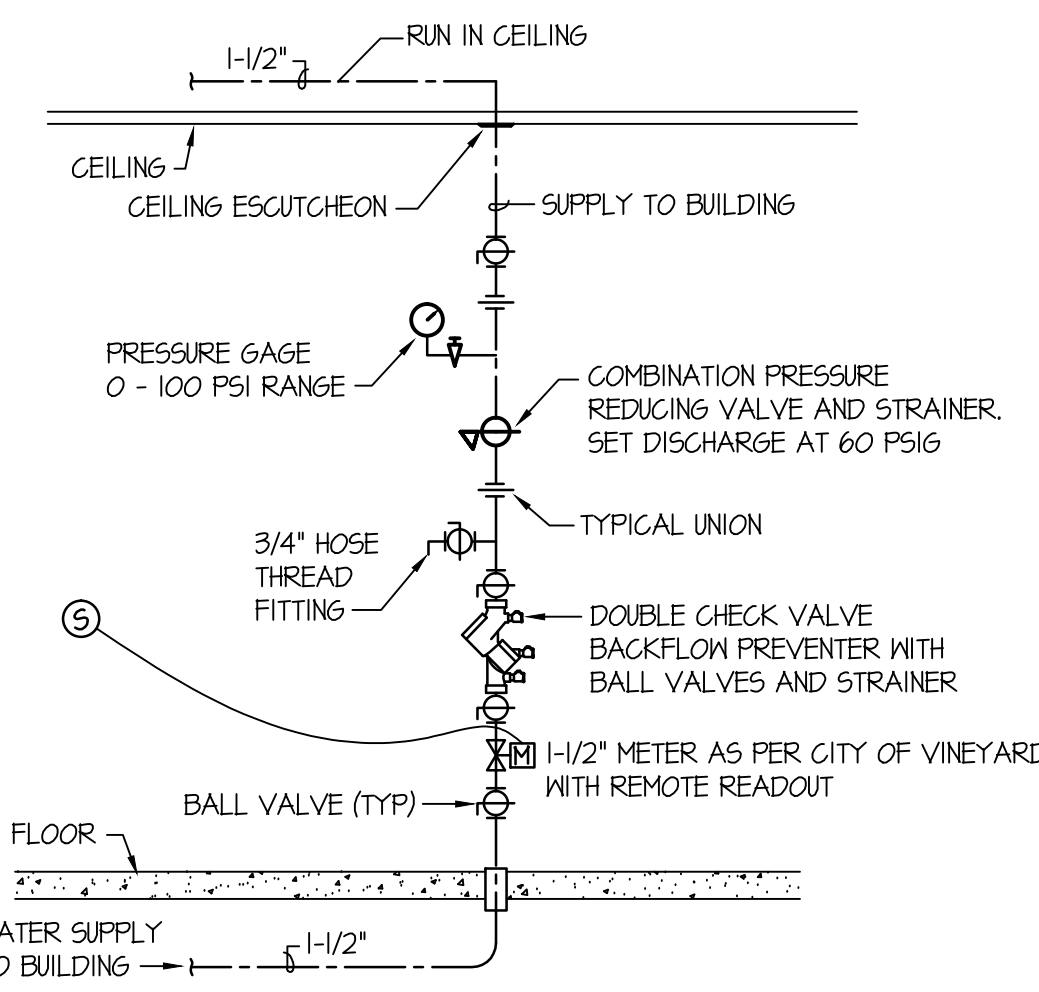
PEX PIPE HANDLING DETAILS

NO SCALE



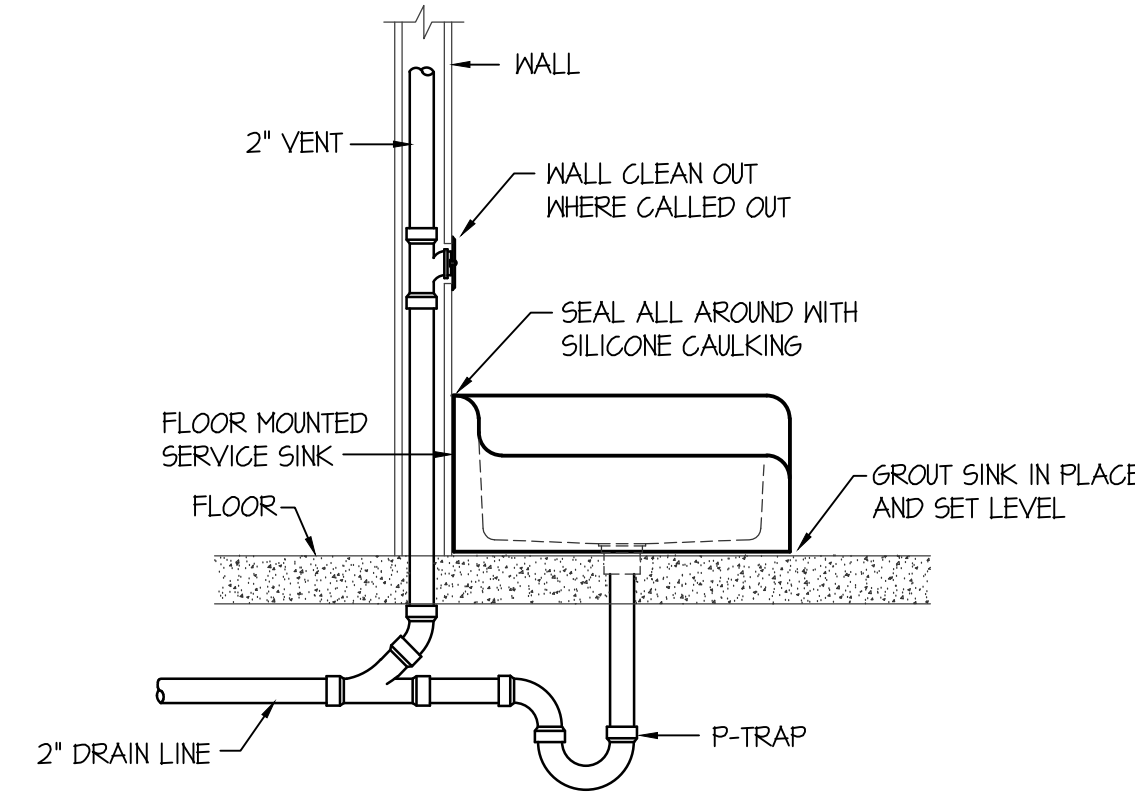
GAS FIRED WATER HEATER PIPING DIAGRAM

NO SCALE



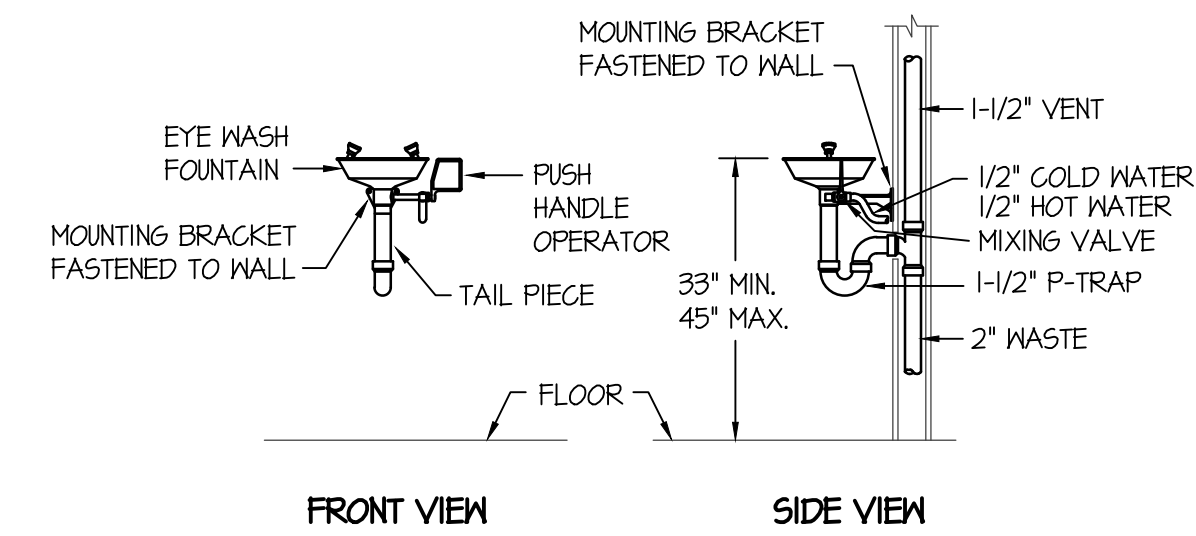
VERTICAL WATER PRESSURE REDUCING STATION

NO SCALE



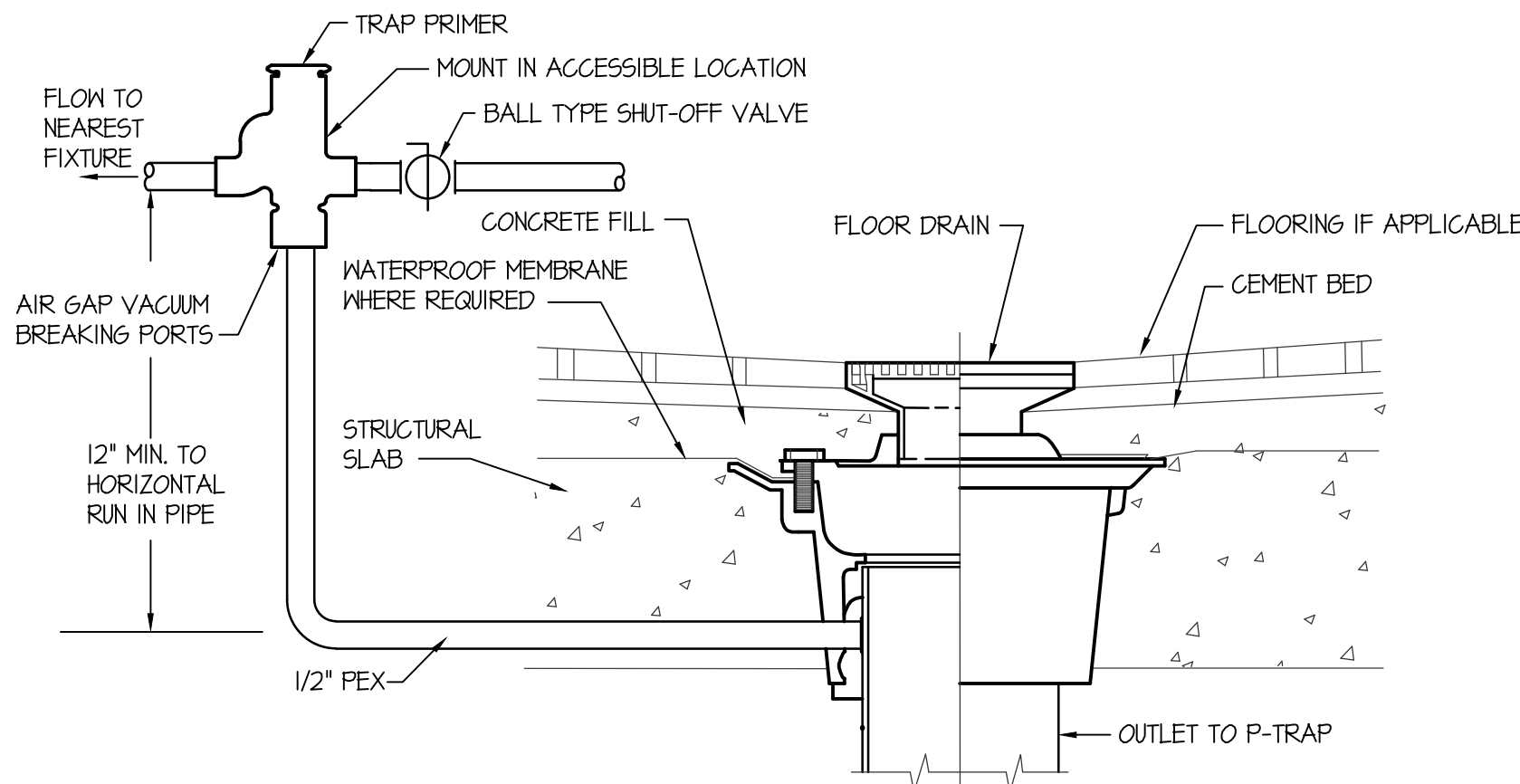
SERVICE SINK INSTALLATION DETAIL

NO SCALE



EMERGENCY EYEWASH DETAIL

NO SCALE



TRAP PRIMER DETAIL

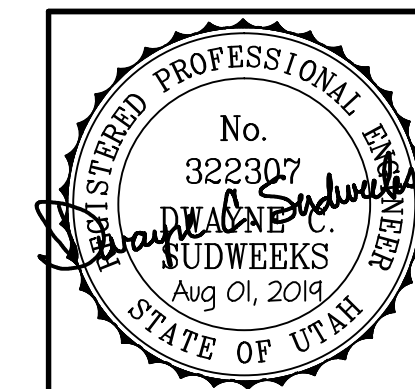
NO SCALE

FIXTURE SCHEDULE											
SYM.	DESCRIPTION	HOT	COLD	WASTE	VENT	SYM.	DESCRIPTION	HOT	COLD	WASTE	VENT
(DF-1)	BI-LEVEL DRINKING FOUNTAIN - ELKAY MODEL LZ5TL8M6LK WITH BOTTLE FILLER STATION & FILTER FRONT PUSH BAR OPERATORS, 1/2" STOP, 1-1/2" P-TRAP AND FLEX-GUARD SAFETY BUBBLER VALVE.	---	1/2"	1-1/2"	1-1/2"	(L-2)	WALL HUNG LAVATORY - KOHLER K-2032 'GREENWICH' WITH WALL CARRIER, MOEN L4600 LEVER HANDLE FAUCET, K-7115 OPEN GRID STRAINER WITH OFFSET WASTE LINE, 1/2" STOPS AND 1-1/4" P-TRAP. PROVIDE INSULATING JACKET ON HN AND WASTE PIPING.	1/2"	1/2"	1-1/2"	1-1/2"
(DF-2)	DRINKING FOUNTAIN - ELKAY MODEL LZ5TL8M6LK WITH BOTTLE FILLER STATION & FILTER FRONT PUSH BAR OPERATORS, 1/2" STOP, 1-1/2" P-TRAP AND FLEX-GUARD SAFETY BUBBLER VALVE.	---	1/2"	1-1/2"	1-1/2"	(RP-1)	RECIRCULATING PUMP - GRUNDFOS MODEL UP15-10BT BRONZE PUMP WITH 3/4" FLANGES (2 GPM @ 5' OF HEAD) 120/60/1. SEE DETAIL ON THIS SHEET.	1/2"	1/2"	2"	2"
(ES-1)	EMERGENCY EYEWASH STATION - HANS T260BT WITH PUSH-OPEN BALL VALVE, EYEWASH BOWL, 1/2" CW & 1/2" HW SUPPLY LINE WITH ASSE 1070 MIXING VALVE, 1-1/2" P-TRAP. REFER TO DETAIL THIS SHEET	1/2"	1/2"	1-1/2"	1-1/2"	(SH-1)	SHOWER VALVE ASSEMBLY - MOEN 82604 ALDER SINGLE LEVER SHOWER FAUCET WITH POSITEMP VALVE AND FIXED POSITION SHOWER HEAD	1/2"	1/2"	---	---
(FD-1)	2" FLOOR DRAIN - ZURN Z-415 WITH 5" NICKEL-BRONZE STRAINER AND 2" DEEP SEAL P-TRAP.	---	---	2"	2"	(SH-2)	ADA SHOWER VALVE ASSEMBLY - MOEN T8346 SINGLE LEVER SHOWER FAUCET WITH POSITEMP VALVE, 24" SLIDE RAIL AND REMOVABLE SPRAYER.	1/2"	1/2"	---	---
(FS-1)	FLOOR SINK - ZURN Z-1900-KG WITH WHITE ENAMEL FINISH, DOME STRAINER AND 4" DEEP SEAL P-TRAP. PROVIDE 3/4" GRATE OVER SINK.	---	---	2"	2"	(U-1)	ADA WALL MOUNTED URINAL - KOHLER K-4484-T 'FRESHMAN' WITH WALL CARRIER & SLOAN OPTIMA BATTERY OPERATED FLUSH VALVE. MOUNT AT ADA HEIGHT.	---	3/4"	2"	2"
(HB-1)	HOSE BIBB - ZURN MODEL ZIB05 'ECOLOTRON' ENCASED NON-FREEZE, LENGTH TO SUIT WALL THICKNESS.	---	3/4"	---	---	(WC-1)	ADA TANK TYPE WATER CLOSET - KOHLER K-3658 'HIGHLINE' W/ ELONGATED BOWL, K-4670-C WHITE OPEN FRONT SEAT, BOLT CAPS AND 1/2" STOP VALVE. LEFT OR RIGHT HANDLE FLUSH LEVER SO LEVER IS ON OPEN SIDE OF ACCESSIBLE SIDE.	---	1/2"	4"	2"
(JS-1)	FLOOR MOUNTED SERVICE SINK - KOHLER MODEL K-6710-0 'WHITEBY' (28"x28") MOP SINK WITH KOHLER K-1304-5A-CP FAUCET AND 2" DEEP SEAL P-TRAP AND STRAINER, WITH HOSE AND HOSE CLAMP	1/2"	1/2"	2"	2"	(WC-2)	TANK TYPE WATER CLOSET - KOHLER K-5296 'HIGHLINE' W/ ELONGATED BOWL, K-4670-C WHITE OPEN FRONT SEAT, BOLT CAPS AND 1/2" STOP VALVE.	---	1/2"	4"	2"
(L-1)	ADA WALL HUNG LAVATORY - KOHLER K-2032 'GREENWICH' WITH WALL CARRIER, MOEN L4600 LEVER HANDLE FAUCET, K-7115 OPEN GRID STRAINER WITH OFFSET WASTE LINE, 1/2" STOPS AND 1-1/4" P-TRAP. PROVIDE INSULATING JACKET ON HN AND WASTE PIPING. MOUNT AT ADA LEVEL.	1/2"	1/2"	1-1/2"	1-1/2"	(WH-1)	GAS WATER HEATER - A.O. SMITH MODEL 6PVX-50L HEATER, AMTROL ST-5 EXPANSION TANK, T&P VALVE. 50,000 BTU INPUT. SEE DETAIL THIS SHEET.	3/4"	3/4"	---	---

A NEW FACILITY FOR:

WATER EDGE CLUBHOUSE #2
Vineyard, Utah
MECHANICAL FLOOR PLAN

Laughlin Ricks Architecture
architecture/planning
955 Shoshone Street North • Twin Falls, Idaho 83301
(208) 736-8050 Fax: (208) 733-0950



Engineered Systems Associates
1355 EAST CENTER
POCATELLO, IDAHO 83201
PHONE: (208) 233-0501
FAX: (208) 233-0529
EMAIL: eso@engsystems.com
ESA JOB NUMBER: 19025

DATE: _____
Drawn: _____
Checked: _____

P1-2